

BUCHER
hydraulics

BUCHER PRODUCTS AVAILABLE FROM HYDRATEC

SERVICE PARTS LIST – LRV
LRV 175–1/LRV 350–1/LRV 700–1

**BUCHER PRODUCTS
AVAILABLE FROM STOCK
AND TO ORDER**

BUCHER Service Parts List – LRV

LRV 175–1/LRV 350–1/LRV 700–1

1. Main control valve block

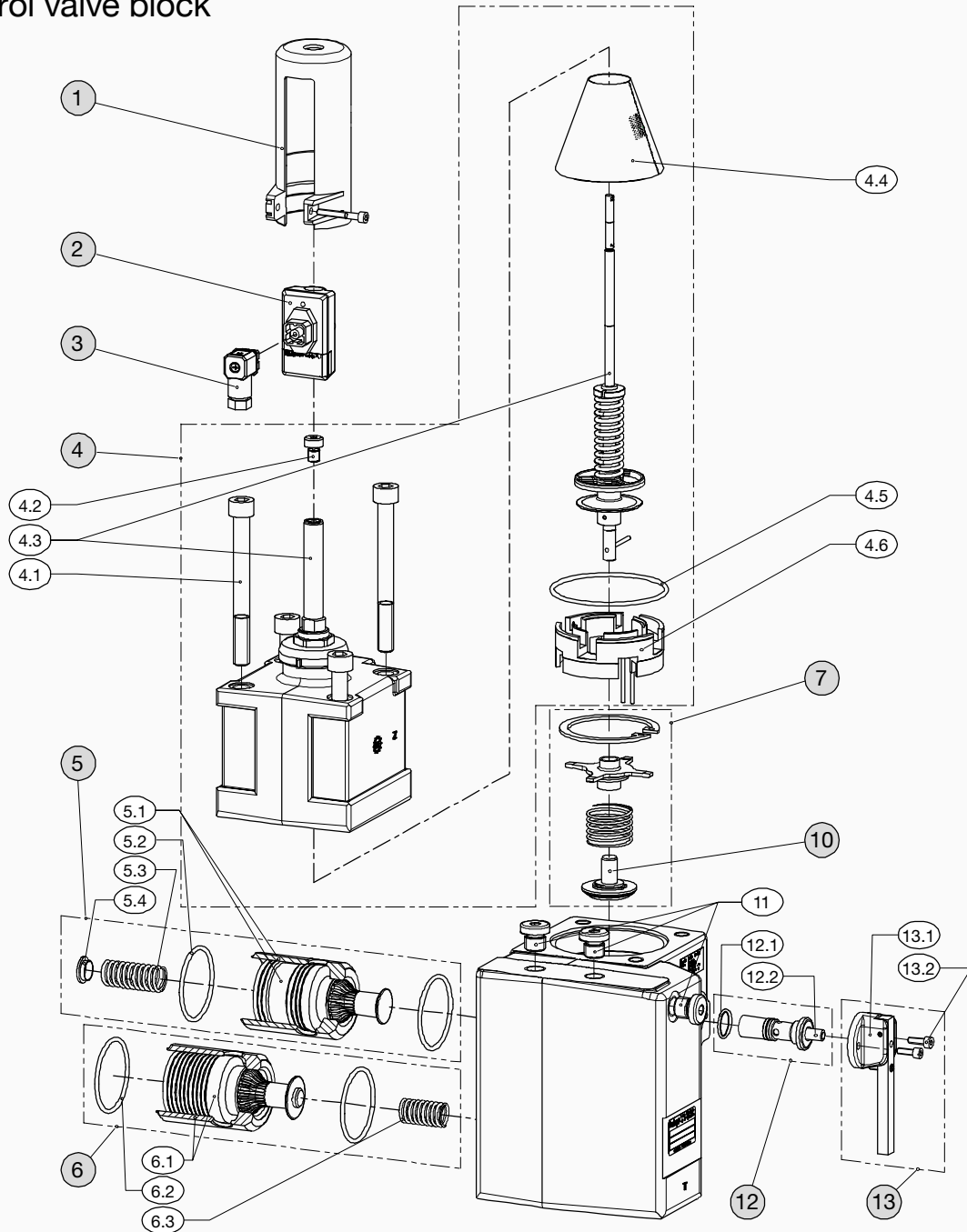


Fig. 1

300–5–10013845

Available as a standard service part

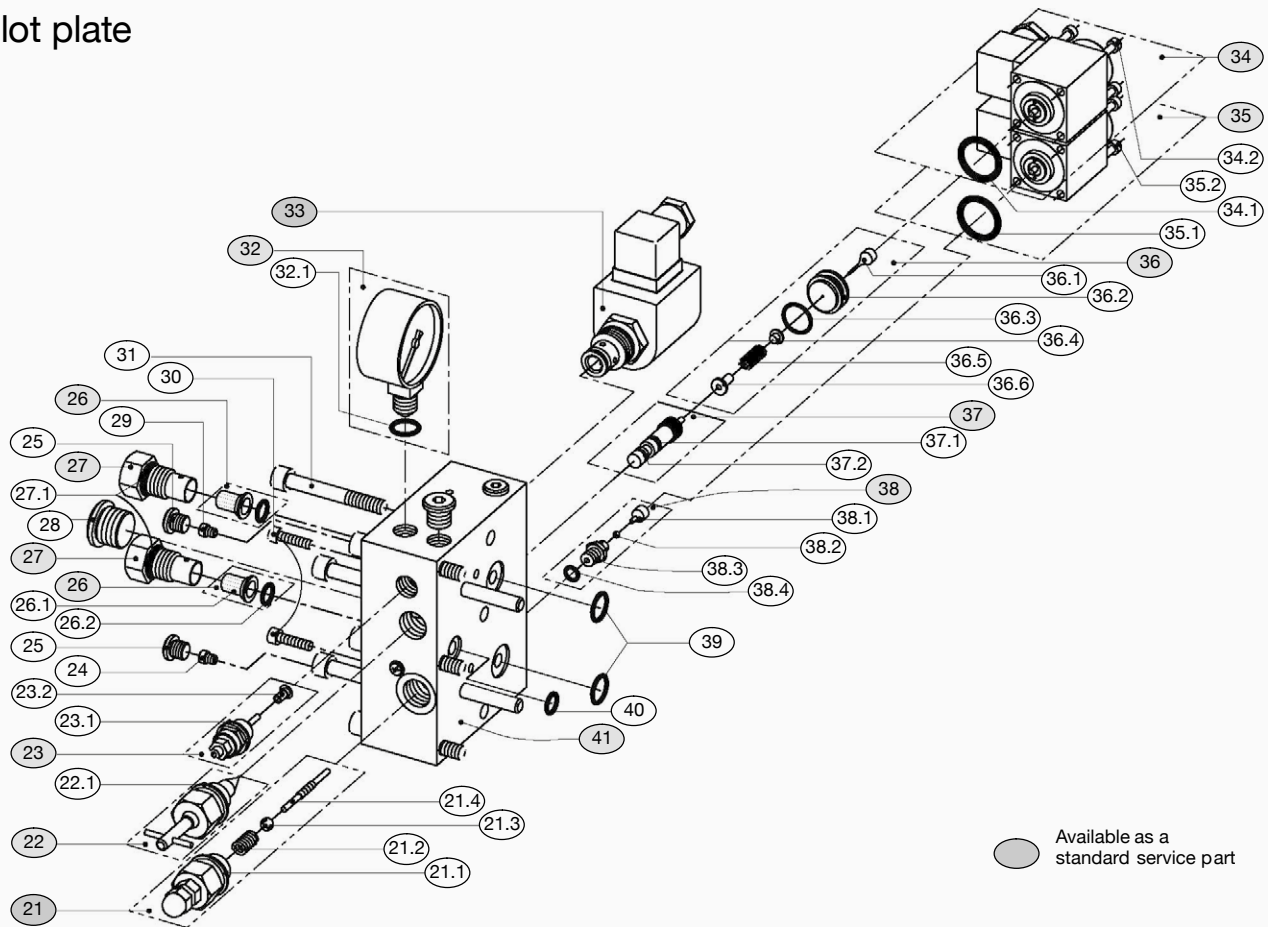
Reference: 300–P–9010121–E–07/11.06
Classification: 450.990.000 (450.60.10.01)

Item	Qty.	Description	Size	LRV 175-1	LRV 350-1	LRV 700-1
1	1	Slip-on protective cover		7010206	7010206	7010206
2	1	Feedback Hall-sensor, complete		7012009	7012009	7012009
3		Feedback cable with plug-in connectors				
3.3	1	Feedback cable 6 m	6 m	0009015	0009015	0009015
3.4	1	Feedback cable 9 m	9 m	0009016	0009016	0009016
3.5	1	Feedback cable 12 m	12 m	0009017	0009017	0009017
4	1	Valve top part, complete		0010796	0010797	0010798
4.1	4	Cap screw	M8 x 80	x		
4.1	4	Cap screw	M10 x 100		x	
4.1	4	Cap screw	M12 x 100			x
4.2	1	Plug screw	M8 x 1	x	x	x
4.3	1	Flow metering sensing rod with guide tube, complete		x	x	x
4.4	1	Strainer		x	x	x
4.5	1	O-ring		x		
4.5	1	O-ring			x	
4.5	1	O-ring				x
4.6	1	Flow ring 175-1	45 l	x		
4.6	1	Flow ring 175-1	90 l	x		
4.6	1	Flow ring 175-1	175 l	x		
4.6	1	Flow ring 175-1	250 l	x		
4.6	1	Flow ring 350-1	250 l		x	
4.6	1	Flow ring 350-1	350 l		x	
4.6	1	Flow ring 350-1	500 l		x	
4.6	1	Flow ring 700-1	700 l			x
4.6	1	Flow ring 700-1	1000 l			x
5		DOWN cartridge, complete				
	1	DOWN cartridge, complete	91 l	7011147		
5.1	1	Sleeve and poppet 91 l		x		
5.2	2	O-ring		x		
5.3	1	Spring		x		
5.4	1	Spring plate		x		
	1	DOWN cartridge, complete	251 l	7011148		
5.1	1	Sleeve and poppet 251 l		x		
5.2	2	O-ring		x		
5.3	1	Spring		x		
5.4	1	Spring plate		x		
	1	DOWN cartridge, complete	501 l		7011149	
5.1	1	Sleeve and poppet 501 l			x	
5.2	2	O-ring			x	
5.3	1	Spring			x	
5.4	1	Spring plate			x	
	1	DOWN cartridge, complete	1001 l			7011150
5.1	1	Sleeve and poppet 1001 l				x
5.2	2	O-ring				x
5.3	1	Spring				x
5.4	1	Spring plate				x
6		UP cartridge, complete				
	1	UP cartridge, complete	91 l	7011151		

Reference: 300-P-9010121-E-07/11.06

Item	Qty.	Description	Size	LRV 175-1	LRV 350-1	LRV 700-1
6.1	1	Sleeve and poppet 91 l		x		
6.2	2	O-ring		x		
6.3	1	Spring		x		
	1	UP cartridge, complete	251 l	7011152		
6.1	1	Sleeve and poppet 251 l		x		
6.2	2	O-ring		x		
6.3	1	Spring		x		
	1	UP cartridge, complete	501 l		7011153	
6.1	1	Sleeve and poppet 501 l			x	
6.2	2	O-ring			x	
6.3	1	Spring			x	
	1	UP cartridge, complete	1001 l			7011155
6.1	1	Sleeve and poppet 1001 l				x
6.2	2	O-ring				x
6.3	1	Spring				x
7	1	Check valve, complete		0007128	0007129	0304512
10	1	Poppet		7010146	7010147	7010177
4.5	1	O-ring		x		
4.5	1	O-ring			x	
4.5	3	O-ring				x
11		Plug screw	G 1/4	x	x	x
12		Emergency lowering insert kit		7010142	7010142	7010142
12.1	1	O-ring		x	x	x
12.2	1	Emergency lowering element with pre-load, complete		x	x	x
13	1	Emergency lowering handle kit, complete		7010141	7010141	7010141
13.1	1	Emergency lowering handle, LRV, complete		x	x	x
13.2	2	Cap screw		x	x	x

2. Pilot plate



Item	Qty.	Description	Size	LRV 175-1	LRV 350-1	LRV 700-1
21		Pressure relief valve, complete		7010140	7010140	7010140
21.1	1	Dowty seal		x	x	x
21.2	1	Spring		x	x	x
21.3	1	Ball		x	x	x
21.4	1	Push-pin		x	x	x
22	1	Pressure gauge shut-off valve, complete		7010139	7010139	7010139
22.1		Dowty seal		x	x	x
23	1	Throttle for electrical emergency lowering		7010194	7010194	7010194
23.1	1	Dowty seal		x	x	x
23.2	1	Poppet		x	x	x
24		Damping jet – UP				
24	1	Jet S M5	0.45	x		
24	1	Jet S M5	0.60		x	
24	1	Jet S M5	1.50			x
25	2	Plug screw	G 1/8	x	x	x
26		Pilot filter, complete		7010158	7010158	7010158
26.1	2	Strainer/filter		x	x	x
26.2	2	O-ring		x	x	x
27	2	Filter screw		7010195	7010195	7010184

Reference: 300-P-9010121-E-07/11.06

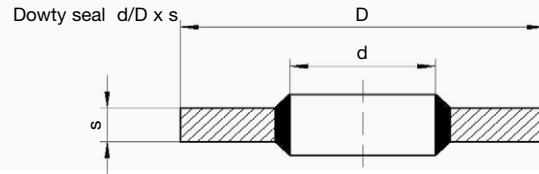
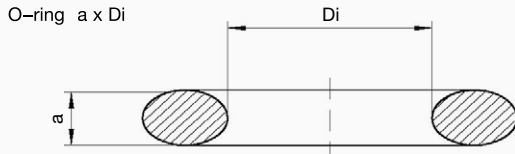
Item	Qty.	Description	Size	LRV 175-1	LRV 350-1	LRV 700-1
27.1	2	O-ring		x	x	x
28	1	Plug screw at test point (standard)	G 1/2	x	x	x
28	1	Test nipple, complete (option)		x	x	x
29		Damping jet – DOWN				
29	1	Jet S M5	0.50	x		
29	1	Jet S M5	0.70		x	
29	1	Jet S M5	1.50			x
30	2	Cap screw				
	2	Cap screw	M6 x 30	x		
	2	Cap screw	M6 x 35		x	
	2	Cap screw	M8 x 35			x
31	6	Cap screw				
	6	Cap screw	M8 x 60	x	x	
	6	Cap screw	M10 x 65			x
32	1	Pressure gauge, complete		7010138	7010138	7010138
32.1	2	Sealing ring	1/4"	x	x	x
33		Electrical emergency lowering valve				
33.1	1	Electrical emergency lowering valve, 12 VDC, 18 W	12 VDC	0003663	0003663	0003663
33.2	1	Electrical emergency lowering valve, 24 VDC, 18 W	24 VDC	0005663	0005663	0005663
34	1	DOWN solenoid, complete (black plug)		7010131	7010131	7010131
34.1	1	O-ring		x	x	x
34.2	4	Cap screw with 3 A/F hex. socket	M4 x 60	x	x	x
35	1	UP solenoid, complete (grey plug)		7010132	7010132	7010132
35.1	1	O-ring		x	x	x
35.2	4	Cap screw with 3 A/F hex. socket	M4 x 60	x	x	x
36	1	DOWN pilot valve, complete		7010143	7010143	7010148
36.1	1	Push-pin, LRV		x	x	x
36.2	1	Bush with seat		x	x	x
36.3	1	O-ring		x	x	x
36.4	1	Poppet		x	x	x
36.5	1	Spring		x	x	x
36.6	1	Spring centring guide		x	x	x
34.1	1	O-ring		x	x	x
37	1	Adjusting spindle, complete		0007532	0007532	0007675
37.1	1	O-ring		x	x	x
37.2	1	O-ring		x	x	x
34.1	1	O-ring		x	x	x
38	1	UP pilot valve, complete		7010144	7010144	7010145
38.1	1	Push-pin		x	x	x
38.2	1	Ball		x	x	x
38.3	1	Ball guide		x	x	x
38.4	1	O-ring		x	x	x
35.1	1	O-ring		x	x	x
39	2	O-ring		x	x	x
40	1	O-ring		x	x	x
41		Pilot plate				
		Pilot plate, complete	EN 00	0305273	0305276	0305279

Reference: 300-P-9010121-E-07/11.06

Item	Qty.	Description	Size	LRV 175-1	LRV 350-1	LRV 700-1
41.0	1	Plate, complete, without electrical emergency lowering	EN 12 VDC	x	x	x
5.2	2	O-rings for main cartridge		x	x	x
		Pilot plate, complete		0305274	0305277	0305280
41.0	1	Plate, complete, with electrical emergency lowering	EN 24 VDC	x	x	x
5.2	2	O-rings for main cartridge		x	x	x
		Pilot plate, complete		0305275	0305278	0305281
41.0	1	Plate, complete, with electrical emergency lowering		x	x	x
5.2	2	O-rings for main cartridge		x	x	x

Reference: 300-P-9010121-E-07/11.06

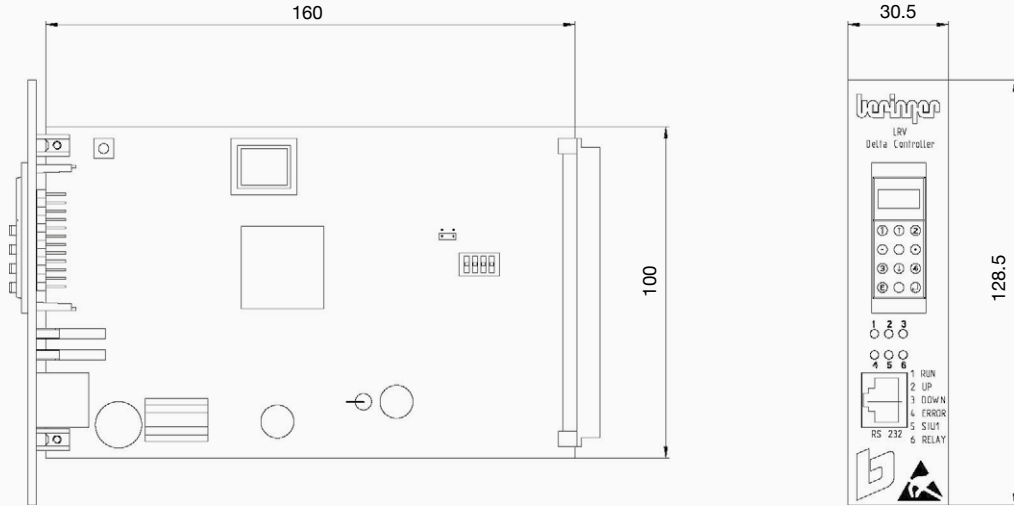
3. Seal kits



Item	Qty.	Description	Size	LRV 175-1	LRV 350-1	LRV 700-1
		Complete seal kit for main valve block and pilot plate		0305197	0305198	0305199
		Seal kit for main valve block		7010197	7010198	7010199
4.5	1	O-ring		x		
4.5	1	O-ring			x	
4.5	1	O-ring				x
5.2	2	O-ring		x		
5.2	2	O-ring		x		
5.2	2	O-ring			x	
5.2	2	O-ring			x	
5.2	2	O-ring				x
6.2	2	O-ring		x		
6.2	2	O-ring		x		
6.2	2	O-ring			x	
6.2	2	O-ring			x	
6.2	2	O-ring				x
12.1	1	O-ring		x	x	x
		Seal kit for pilot plate		7010200	7010200	7010200
21.1	1	Dowty seal		x	x	x
22.1	1	Dowty seal		x	x	x
23.1	1	Dowty seal		x	x	x
26.2	2	O-ring		x	x	x
27.1	2	O-ring		x	x	x
28.2	1	Dowty seal		x	x	x
32.1	2	Sealing ring		x	x	x
33.2		O-ring				
33.3		O-ring				
33.4		Backup ring				
34.1	1	O-ring		x	x	x
35.1	1	O-ring		x	x	x
36.3	1	O-ring		x	x	x
37.1	1	O-ring		x	x	x
38.2	1	O-ring		x	x	x
38.4	1	O-ring		x	x	x
39.0	2	O-ring		x	x	x
40.0	1	O-ring		x	x	x

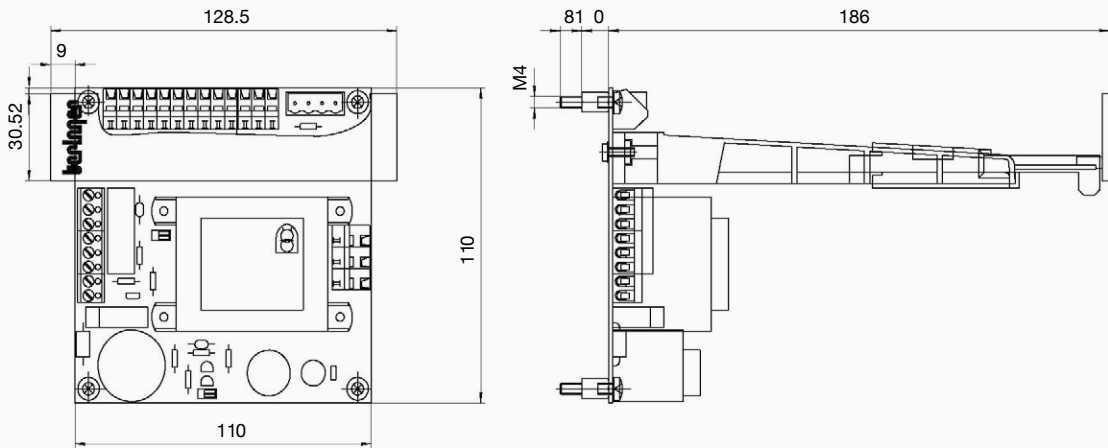
Reference: 300-P-9010121-E-07/11.06

4. Electronic card



Qty.	Description	Type	LRV 175-1	LRV 350-1	LRV 700-1
1	DELCON (Delta Controller) SIU-1	without protective lacquer	7010590 +	7010590 +	7010590 +

5 Power supply module



Qty.	Description	Type	LRV 175-1	LRV 350-1	LRV 700-1
1	Power supply module NTA-2		same p/s module for all valve sizes		
1	Power supply module NTA-2	100/115/120 VAC	7013534	7013534	7013534
1	Power supply module NTA-2	220/230/240 VAC	7013535	7013535	7013535
1	Power supply module NTA-2	400/415/440 VAC	7013536	7013536	7013536

Reference: 300-P-9010121-E-07/11.06



Hydratec Lift Services Limited
Unit 1B, Blackbushe Business Village
Yateley, Hampshire
GU46 6GA

t · +44 (0) 1252 871664
f · +44 (0) 1252 873601
e · sales.south@hydratec-lifts.co.uk

Hydratec Lift Services Limited
Unit A5, Axis Point Hareshill Business Park
Hill Top Road, Heywood
OL10 2RQ

t · +44 (0) 1252 871664
f · +44 (0) 1252 873601
e · sales.north@hydratec-lifts.co.uk

© Copyright 2016, Hydratec Lift Services Limited,
All rights reserved.

*The technical and performance details contained within this document have been obtained from original manufacturers' product descriptions. Hydratec Lift Services Ltd are providing this information as a guide only and cannot be held responsible should any performance promises or technical details be incorrect.

we service your clients as you