



Unbiased Unbranded **Reliable**

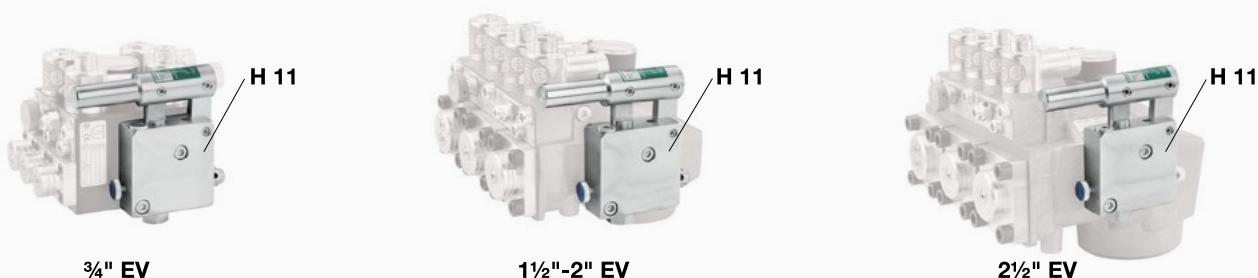


BLAIN PRODUCTS AVAILABLE FROM HYDRATEC

BLAIN HP HAND PUMP

BLAIN PRODUCTS
AVAILABLE FROM STOCK
AND TO ORDER

BLAIN Hand Pump



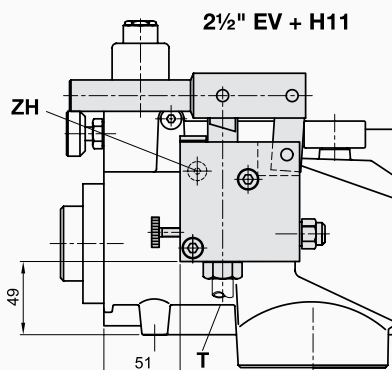
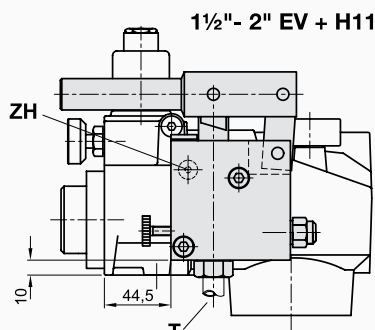
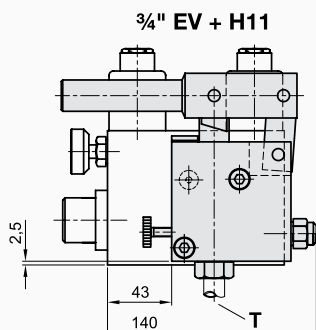
Description:

H 11 and H 12 pumps are for application with hydraulic lifting or pressing equipment, for emergency operation of hydraulic elevators and for the pressure testing of hydraulic systems in general.

The H 11 is constructed for side mounting. The H 12 is fitted with a base plate for separate application.

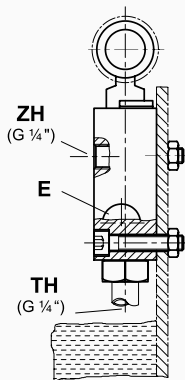
The built-in relief valve should be adjusted to prevent unintentional high pressure being applied to the system.

A built-in manual valve for releasing pressure from the system is available as an option.



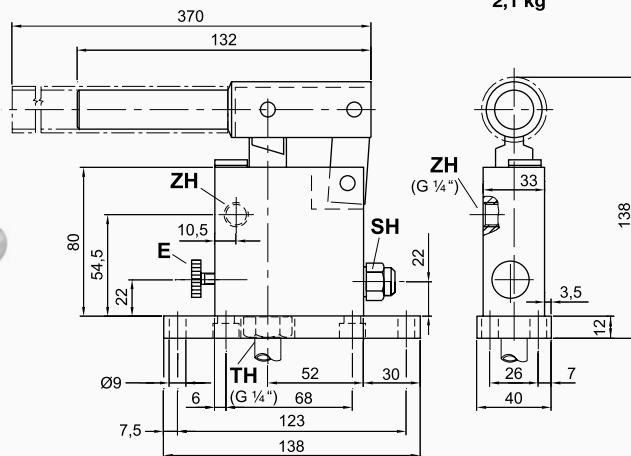
H 11T
For mounting inside tank

1,7 kg



H 12
For separate installation

2,1 kg



BLAIN Hand Pump

Warning: Only qualified personell should adjust or service valves. Unauthorised manipulation may result in injury, loss of life or damage to equipment. Prior to servicing internal parts, ensure that the electrical power is switched off and residual pressure in the valve is reduced to zero.

Installation

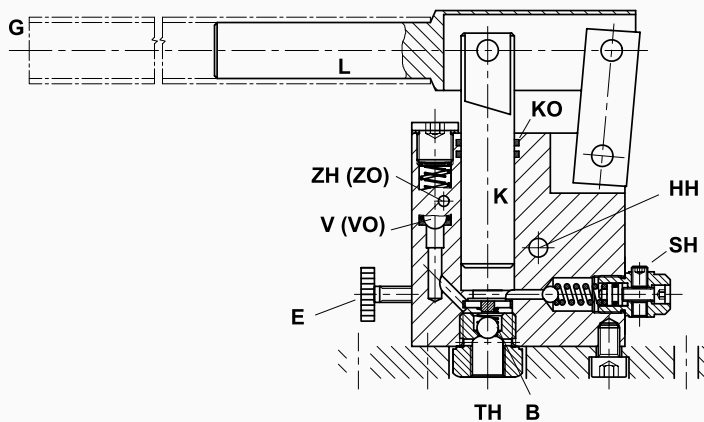
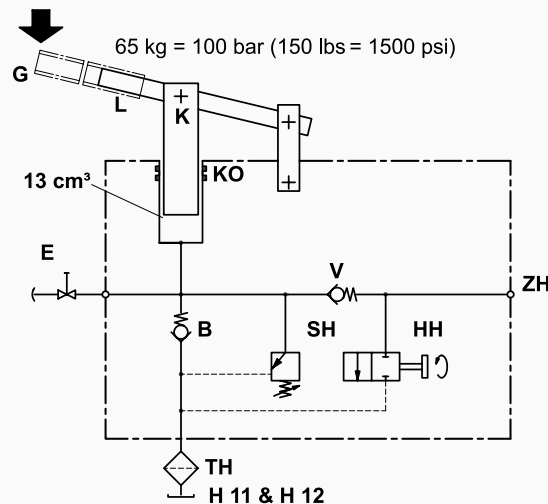
The inside diameter of the suction line should not be less than 8mm diameter (5/16"). The connection of the suction line to the hand pump must be a perfect seal. A filter fitted to the bottom end of the suction line is recommended.

Air Bleed

If the operation of the pump arm does not produce a build up of system pressure, it may be necessary to release trapped air out of the hand pump by opening the air bleed screw **E** half a turn and pumping several strokes until oil appears at the bleed screw thread.

Elements

- V** Check-Valve (Pressure line)
- VO** Check-Valve (O-Ring)
- B** Check-Valve (Suction line)
- K** Piston
- KO** O-Ring - Piston
- SH** Relief-Valve
- HH** Pressure bleed (optional)
- E** Air bleed
- L** Lever
- G** Lever extension
- ZH** Pressure Port
- ZO** O-Ring - Port
- TH** Suction Port





Available from **Hydratec**
(0)1252 871664



Hydratec Lift Services Limited
Unit 1B, Blackbushe Business Village
Yateley, Hampshire
GU46 6GA

t · +44 (0) 1252 871664
f · +44 (0) 1252 873601
e · sales.south@hydratec-lifts.co.uk

Hydratec Lift Services Limited
Unit A5, Axis Point Hareshill Business Park
Hill Top Road, Heywood
OL10 2RQ

t · +44 (0) 1252 871664
f · +44 (0) 1252 873601
e · sales.north@hydratec-lifts.co.uk

© Copyright 2015, Hydratec Lift Services Limited,
All rights reserved.

*The technical and performance details contained within this document have been obtained from original manufacturers' product descriptions. Hydratec Lift Services Ltd are providing this information as a guide only and cannot be held responsible should any performance promises or technical details be incorrect.

we service your clients as you