



Unbiased Unbranded **Reliable**

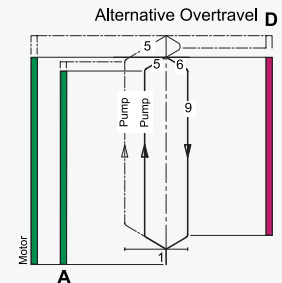
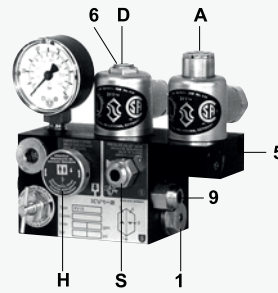
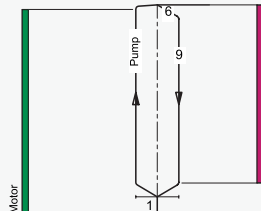
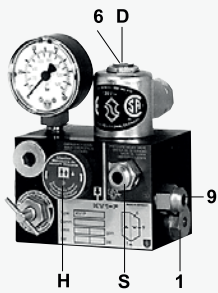


BLAIN PRODUCTS AVAILABLE FROM HYDRATEC

KV ELEVATOR VALVES

**BLAIN PRODUCTS
AVAILABLE FROM STOCK
AND TO ORDER**

KV Elevator Valves



Control Elements

- A Solenoid Up
- D Solenoid Down
- F Main Filter
- H Manual Lowering
- L Gauge Shut Off Cock
- U Bypass Valve
- V Check Valve
- Y Down Levelling Valve

Adjustments

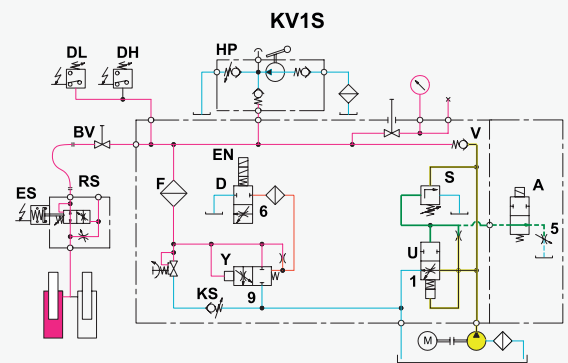
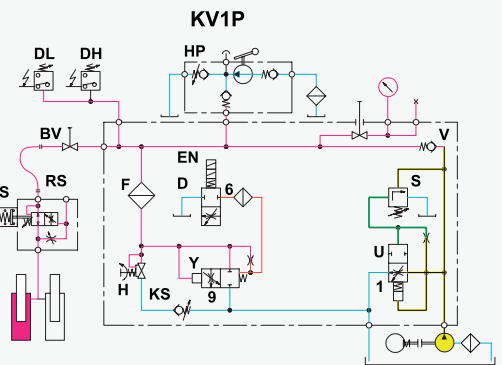
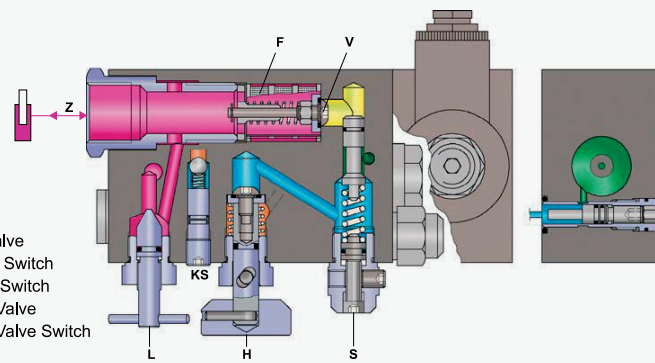
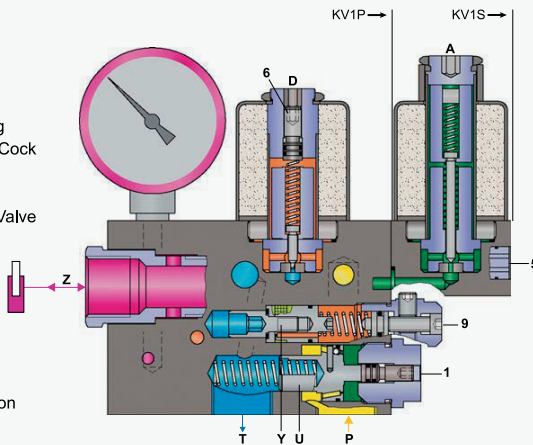
- 1 Bypass
- 5 Up Soft Stop
- 6 Down Acceleration
- 9 Down Speed
- S Relief Valve

Connections

- P Pump
- T Tank
- Z Cylinder

Options

- BV Ball Valve
- HP Hand Pump
- KS Slack Rope Valve
- DH High Pressure Switch
- DL Low Pressure Switch
- RS Pipe Rupture Valve
- ES Pipe Rupture Valve Switch



Hydratec Lift Services Limited
Unit 1B, Blackbushe Business Village
Yateley, Hampshire
GU46 6GA

t · +44 (0) 1252 871664
f · +44 (0) 1252 873601
e · sales.south@hydratec-lifts.co.uk

Hydratec Lift Services Limited
Unit A5, Axis Point Hareshill Business Park
Hill Top Road, Heywood
OL10 2RQ

t · +44 (0) 1252 871664
f · +44 (0) 1252 873601
e · sales.north@hydratec-lifts.co.uk

© Copyright 2015, Hydratec Lift Services Limited,
All rights reserved.

*The technical and performance details contained within this document have been obtained from original manufacturers' product descriptions. Hydratec Lift Services Ltd are providing this information as a guide only and cannot be held responsible should any performance promises or technical details be incorrect.

we service your clients as you