



Unbiased Unbranded **Reliable**



BUCHER PRODUCTS AVAILABLE FROM HYDRATEC

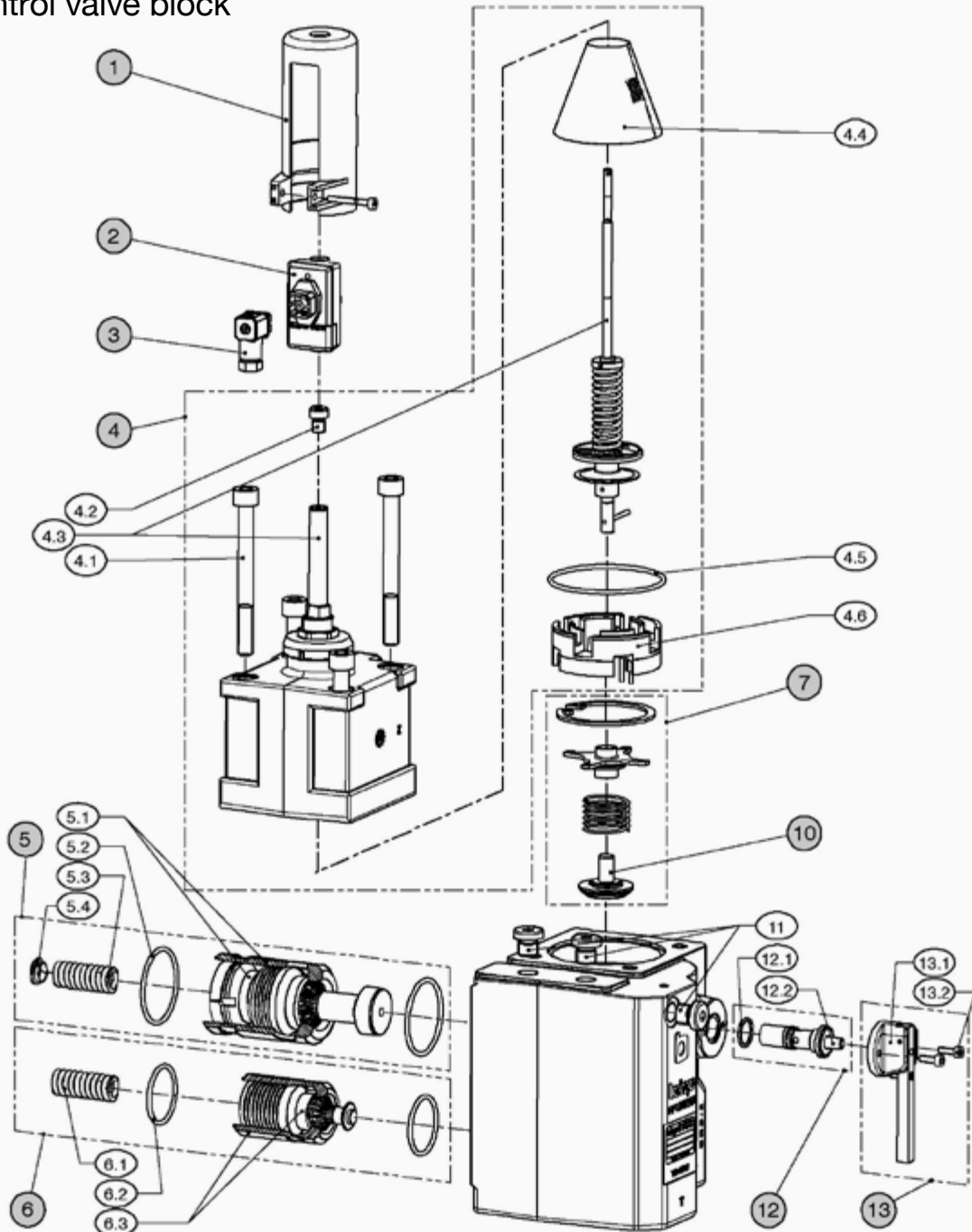
SERVICE PARTS LIST – VF-LRV VF-LRV 350 / VF-LRV 700

BUCHER PRODUCTS
AVAILABLE FROM STOCK
AND TO ORDER

BUCHER Service Parts List – VF-LRV

VF-LRV 350 / VF-LRV 700

1. Main control valve block



Available as a standard service part

Reference: 300-P-9010156-E-07/04.08
Classification: 450.990.000

300-2-10003616

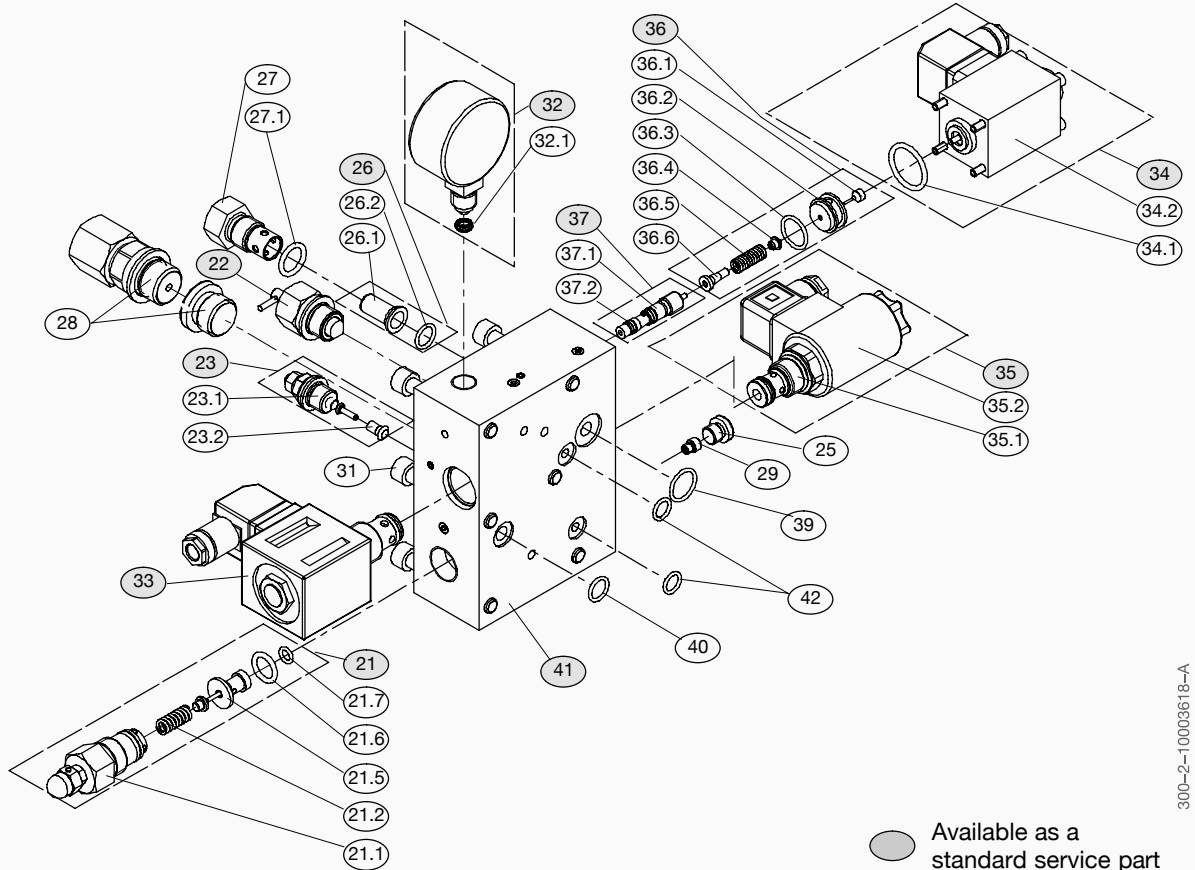
Item	Qty.	Description	Size	VF-LRV 350	VF-LRV 700
1	1	Slip-on protective cover		7010206	7010206
2	1	Feedback Hall-sensor, complete		7011055	7011055
3		Feedback cable with plug-in connectors			
3.3	1	Feedback cable 6 m	6 m	0009015	0009015
3.4	1	Feedback cable 9 m	9 m	0009016	0009016
3.5	1	Feedback cable 12 m	12 m	0009017	0009017
3.6	1	Feedback cable 20 m	20 m	0009958	0009958
4	1	Valve top part, complete		0010797	0010798
4.1	4	Cap screw, hex. socket	M10 x 100	x	
4.1	4	Cap screw, hex. socket	M12 x 100		x
4.2	1	Plug screw	M8 x 1	x	x
4.3	1	Flow metering sensing rod with guide tube		x	x
4.4	1	Strainer/filter		x	x
4.5	1	O-ring	2.62 x 71.12	x	
4.5	1	O-ring	3.53 x 104.37		x
4.6	1	Flow ring 350-1	175 L	x	
4.6	1	Flow ring 350-1	250 L	x	
4.6	1	Flow ring 350-1	350 L	x	
4.6	1	Flow ring 350-1	500 L	x	
4.6	1	Flow ring 700-1	700 L		x
4.6	1	Flow ring 700-1	1000 L		x
5		Cartridge, complete		7010963	7011609
5.1	1	Sleeve and poppet	500 l	x	
5.1	1	Sleeve and poppet	1000 l		x
5.2	2	O-ring	2.62 x 45.69	x	
5.2	2	O-ring	2.62 x 66.34		x
5.3	1	Spring		x	
5.3	1	Spring			x
5.4	1	Spring plate		x	x
6		Pressure relief valve cartridge, complete		7010964	7011610
6.1	1	Sleeve and poppet		x	
6.1	1	Sleeve and poppet			x
6.2	2	O-ring	2.62 x 34.59	x	
6.2	2	O-ring	2.62 x 44.12		x
6.3	1	Spring		x	
6.3	1	Spring			x
7		Check valve, complete		0007129	0304512
10		Poppet		7010147	7010177
4.5	1	O-ring	2.62 x 71.12	x	
4.5	1	O-ring	3.53 x 104.37		x
11	3	Plug screw	G 1/4	x	x
12		Emergency lowering insert kit		7010142	7010142
12.1	1	O-ring	1.78 x 15.6	x	x
12.2	1	Emergency lowering element with pre-load, complete		x	x
13	1	Emergency lowering handle kit, complete		7015525	7015525
13.1	1	Emergency lowering handle, LRV, complete	1.78 x 15.6	x	x
13.2	2	Cap screw	M4 x 12	x	x

Available as a standard service part

Reference: 300-P-9010156-E-07/04.08

2. Pilot plate

2.1 Version with emergency stop valve



300-2-10003618-A

○ Available as a standard service part

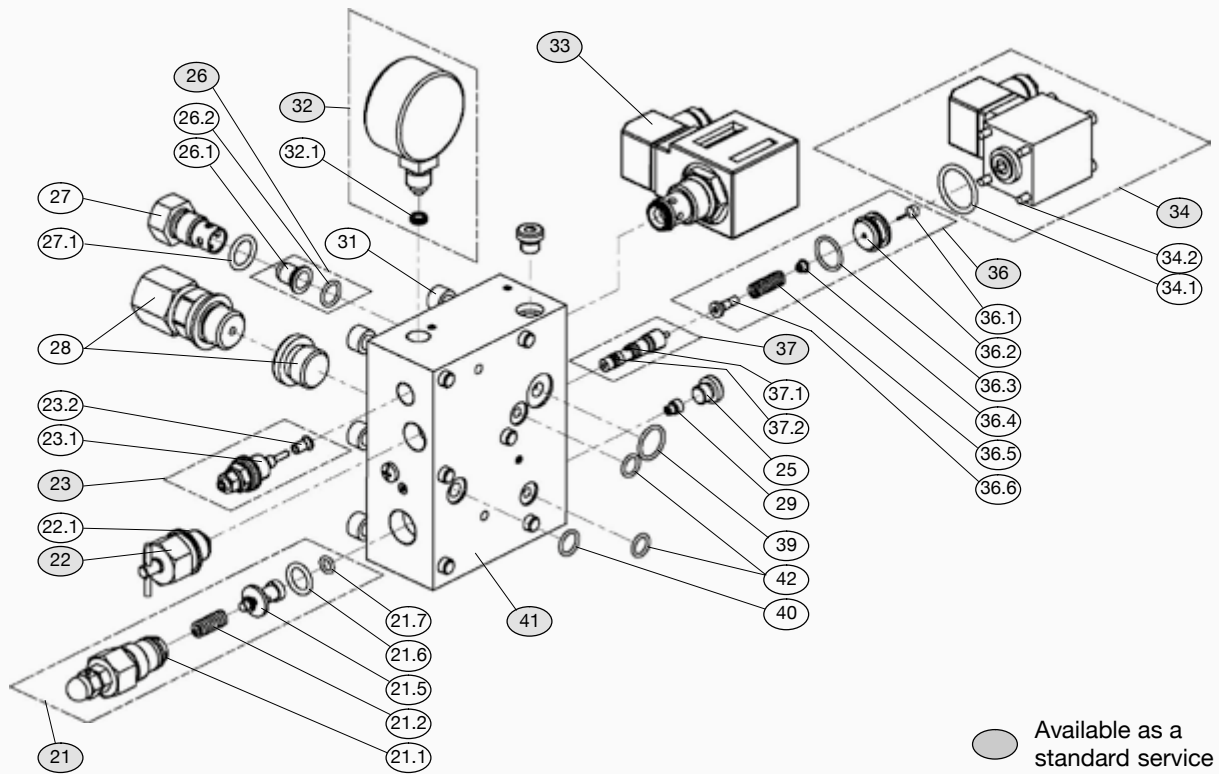
Item	Qty.	Description	Size	VF-LRV 350	VF-LRV 700
21	1	Pressure relief valve, complete		0305758+	0305758+
21.1	1	PRV cartridge		x	x
21.2	1	Spring		x	x
21.5	1	Seat + pin-type poppet		x	x
21.6	1	O-ring	2.62 x 12.37	x	x
21.7	1	O-ring	1.78 x 6.07	x	x
22	1	Pressure gauge shut-off valve, complete		7010139	7010139
22.11		Dowty seal	18.0/24.7 x 1.5	x	x
23	1	Throttle for electrical emergency lowering		7010194	7010194
23.1	1	Dowty seal	14.0/18.7 x 1.5	x	x
23.2	1	Poppet		x	x
25	1	Plug screw	G 1/8	x	x
26		Pilot filter, complete		7010975	7010975
26.1	1	Strainer/filter	L23	x	x
26.2	1	O-ring	2.62 x 10.82	x	x
27	1	Filter screw, VF-LRV	4 x ̢4	x	x
27.1	1	O-ring	2.62 x 13.94	x	x

Reference: 300-P-9010156-E-07/04.08

Item	Qty.	Description	Size	VF-LRV 350	VF-LRV 700
28	1	Plug screw at test point (standard)	G ½	x	x
28	1	Test nipple, complete (option)		x	x
29	1	Damping jet S M5	∅ 1.00	x	x
31	6	Cap screw with 6 A/F hex. socket	M8 x 60	x	
31	6	Cap screw with 8 A/F hex. socket	M10 x 65		x
32	1	Pressure gauge, complete		7010138	7010138
32.1	1	Sealing ring	1/4"	x	x
33	1	Electrical emergency lowering valve			
33.1	1	Electrical emergency lowering valve, 12 VDC	12 VDC	0003663	0003663
33.2	1	Electrical emergency lowering valve, 24 VDC	24 VDC	0005663	0005663
34	1	DOWN solenoid, complete (black plug)		7010131	7010131
34.1	1	O-ring	2.62 x 21.89	x	x
34.2	4	Cap screw with 3 A/F hex. socket	M4 x 60	x	x
35	1	Electrical emergency stop valve			
35.1	1	2/2 solenoid directional valve cartridge		7014573	7014573
35.2	1	Solenoid coil 15 V		7014576	7014576
35.2	1	Solenoid coil 230 V		7013972	7013972
36	1	DOWN pilot valve		7010978	7010148
36.1	1	Push pin, LRV		x	x
36.2	1	Bush with seat		x	x
36.3	1	O-ring	1.78 x 15.60	x	x
36.4	1	Poppet		x	x
36.5	1	Spring		x	x
36.6	1	Spring centring guide		x	x
34.1	1	O-ring	2.62 x 21.89	x	x
37	1	Adjusting spindle, complete	VF-LRV	0010345	0007675
37.1	1	O-ring	1.5 x 5.5	x	x
37.2	1	O-ring	1.5 x 4.5	x	x
36.3	1	O-ring	1.78 x 15.60	x	x
34.1	1	O-ring	2.62 x 21.89	x	x
39	1	O-ring	1.78 x 15.60	x	x
40	1	O-ring	1.78 x 10.82	x	x
42	2	O-ring	1.78 x 9.95	x	x
41	1	Pilot plate, complete		on request	on request
41	1	Pilot plate, complete		x	x
5.2	2	O-ring for DOWN cartridge		x	x
6.2	2	O-ring for PRV cartridge		x	x

Reference: 300-P-9010156-E-07/04.08

2.2 Version without emergency stop valve



300-2-10003618

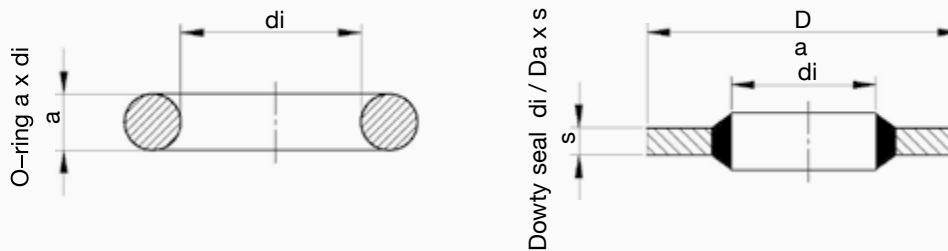
Item	Qty.	Description	Size	VF-LRV 350	VF-LRV 700
21	1	Pressure relief valve, complete		0305758+	0305758+
21.1	1	PRV cartridge		x	x
21.2	1	Spring		x	x
21.5	1	Seat + pin-type poppet		x	x
21.6	1	O-ring	2.62 x 12.37	x	x
21.7	1	O-ring	1.78 x 6.07	x	x
22	1	Pressure gauge shut-off valve, complete		7010139	7010139
22.1	1	Dowty seal	18.0/24.7 x 1.5	x	x
23	1	Throttle for electrical emergency lowering		7010194	7010194
23.1	1	Dowty seal	14.0/18.7 x 1.5	x	x
23.2	1	Poppet		x	x
25	1	Plug screw	G 1/8	x	x
26		Pilot filter, complete		7010975	7010975
26.1	1	Strainer/filter	L23	x	x
26.2	1	O-ring	2.62 x 10.82	x	x
27	1	Filter screw, VF-LRV	4 x \varnothing 4	x	x
27.1	1	O-ring	2.62 x 13.94	x	x
28	1	Plug screw at test point (standard)	G 1/2	x	x
28	1	Test nipple, complete (option)		x	x
29	1	Damping jet S M5	\varnothing 1.00	x	x
31	6	Cap screw with 6 A/F hex. socket	M8 x 60	x	
31	6	Cap screw with 8 A/F hex. socket	M10 x 65		x

Reference: 300-P-9010156-E-07/04.08

Item	Qty.	Description	Size	VF-LRV 350	VF-LRV 700
32	1	Pressure gauge, complete		7010138	7010138
32.1	1	Sealing ring	1/4"	x	x
33	1	Electrical emergency lowering valve			
33.1	1	Electrical emergency lowering valve, 12 VDC	12 VDC	0003663	0003663
33.2	1	Electrical emergency lowering valve, 24 VDC	24 VDC	0005663	0005663
34	1	DOWN solenoid, complete (black plug)		7010131	7010131
34.1	1	O-ring	2.62 x 21.89	x	x
34.2	4	Cap screw with 3 A/F hex. socket	M4 x 60	x	x
36	1	DOWN pilot valve		7010978	7010148
36.1	1	Push pin, LRV		x	x
36.2	1	Bush with seat		x	x
36.3	1	O-ring	1.78 x 15.60	x	x
36.4	1	Poppet		x	x
36.5	1	Spring		x	x
36.6	1	Spring centring guide		x	x
34.1	1	O-ring	2.62 x 21.89	x	x
37	1	Adjusting spindle, complete	VF-LRV	0010345	0007675
37.1	1	O-ring	1.5 x 5.5	x	x
37.2	1	O-ring	1.5 x 4.5	x	x
36.3	1	O-ring	1.78 x 15.60	x	x
34.1	1	O-ring	2.62 x 21.89	x	x
39	1	O-ring	1.78 x 15.60	x	x
40	1	O-ring	1.78 x 10.82	x	x
42	2	O-ring	1.78 x 9.95	x	x
41	1	Pilot plate, complete	EN 00	7010985	7011620
41	1	Pilot plate, complete – without elec. emerg. lowering		x	x
5.2	2	O-ring for DOWN cartridge		x	x
6.2	2	O-ring for PRV cartridge		x	x
41	1	Pilot plate, complete	EN 12 VDC	7010986	7011621
41	1	Pilot plate, complete – with 12 V elec. emerg. lowering		x	x
5.2	2	O-ring for DOWN cartridge		x	x
6.2	2	O-ring for PRV cartridge		x	x
41	1	Pilot plate, complete	EN 24 VDC	7010987	7011622
41	1	Pilot plate, complete – with 24 V elec. emerg. lowering		x	x
5.2	2	O-ring for DOWN cartridge		x	x
6.2	2	O-ring for PRV cartridge		x	x

Reference: 300-P-9010156-E-07/04.08

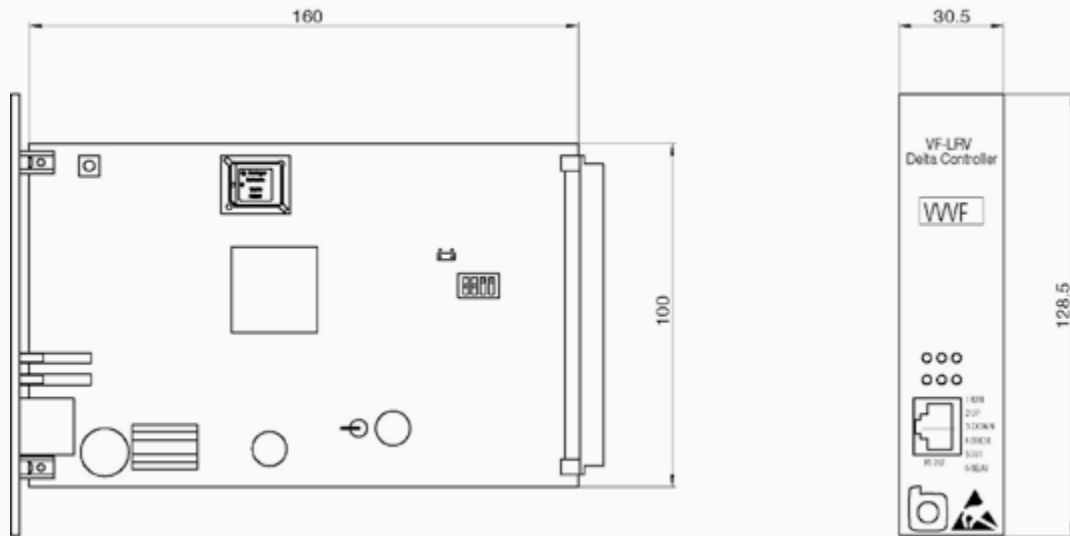
3. Complete seal kit for main control valve block and pilot plate



Item	Qty.	Description	Size	VF-LRV 350	VF-LRV 700
Complete seal kit for main control valve block and pilot plate				7010992	0305199
Seals in the main control valve block				7010990	7011623
4.5	1	O-ring	2.62 x 71.12	x	
4.5	1	O-ring	3.53 x 104.37		x
5.2	2	O-ring	2.62 x 45.96	x	
5.2	2	O-ring	2.62 x 66.34		x
6.2	2	O-ring	2.62 x 34.59	x	
6.2	2	O-ring	2.62 x 44.12		x
12.1	1	O-ring	1.78 x 15.60	x	x
Seals in the pilot plate				7010991	7010991
21.6	2	O-ring	2.62 x 12.37	x	x
21.7	1	O-ring	1.78 x 6.07	x	x
22.1	1	Dowty seal	18.0/24.7 x 1.5	x	x
23.1	1	Dowty seal	14/18.7 x 1.5	x	x
26.2	2	O-ring	1.78 x 10.82	x	x
27.1	2	O-ring	2.62 x 13.94	x	x
28.2	1	Dowty seal	22.7/30.0 x 2.0	x	x
32.1	2	Sealing ring	¼"	x	x
33.2	1	O-ring	2.46 x 19.18	x	x
33.3	1	O-ring	1.78 x 12.42	x	x
33.4	1	Backup ring	16.0/13.1 x 1.3	x	x
34.1	1	O-ring	2.62 x 21.89	x	x
36.3	1	O-ring	1.78 x 15.60	x	x
37.1	1	O-ring	1.5 x 5.50	x	x
37.2	1	O-ring	1.5 x 4.50	x	x
39	1	O-ring	1.78 x 15.60	x	x
40	1	O-ring	1.78 x 10.82	x	x
42	2	O-ring	1.78 x 9.95	x	x

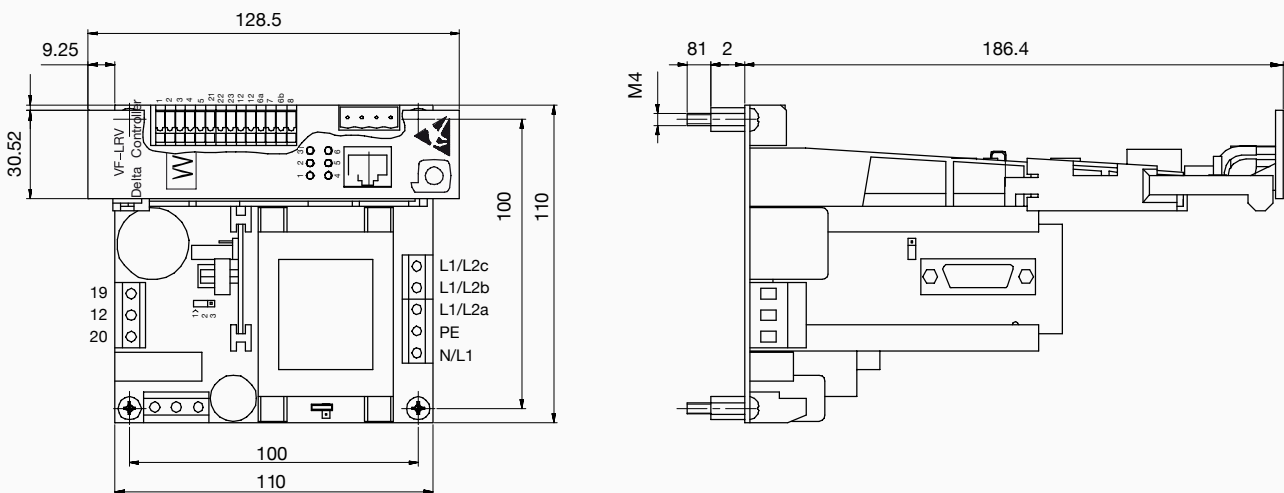
Reference: 300-P-9010156-E-07/04.08

4. Electronic card



Qty.	Description	Type	Art. no.
1	DELCON electronic card	without protective lacquer	0305012+
1	DELCON VF-LRV		x

5. Power supply module



Qty.	Description	Type	Art. no.
1	Power supply module VF-NTA-2		
1	Power supply module VF-NTA-2	100/115/120 VAC	7013537
1	Power supply module VF-NTA-2	220/230/240 VAC	7013538
1	Power supply module VF-NTA-2	400/415/440 VAC	7013539

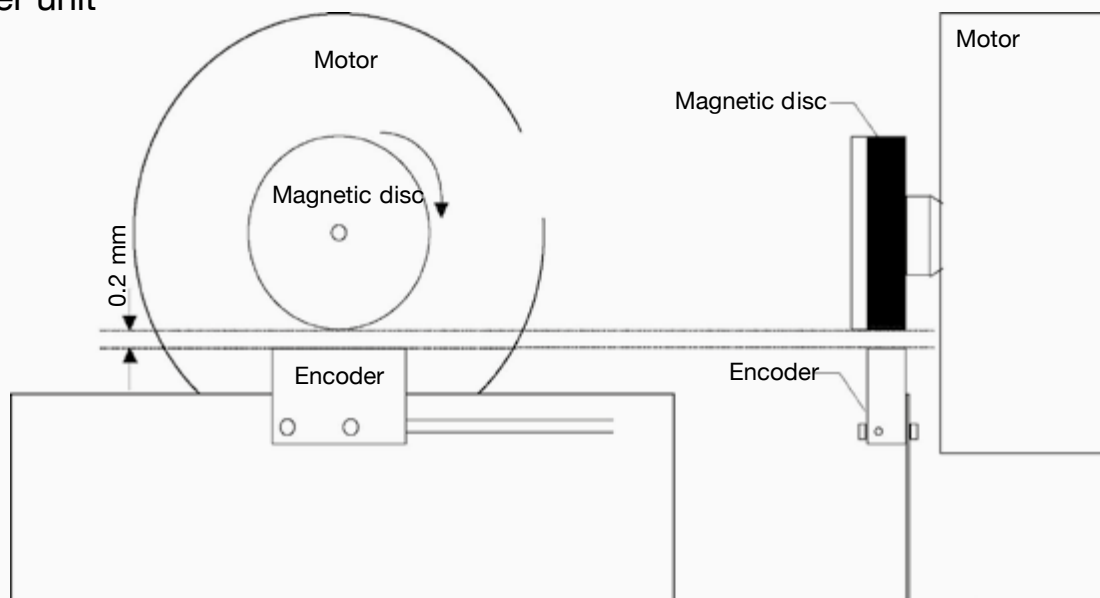
Reference: 300-P-9010121-E-07/11.06

6. Hand terminal



Qty.	Description	Art. no.
1	Hand terminal, complete	7010231
1	Connecting cable, 1 m	x
1	PC adapter	x

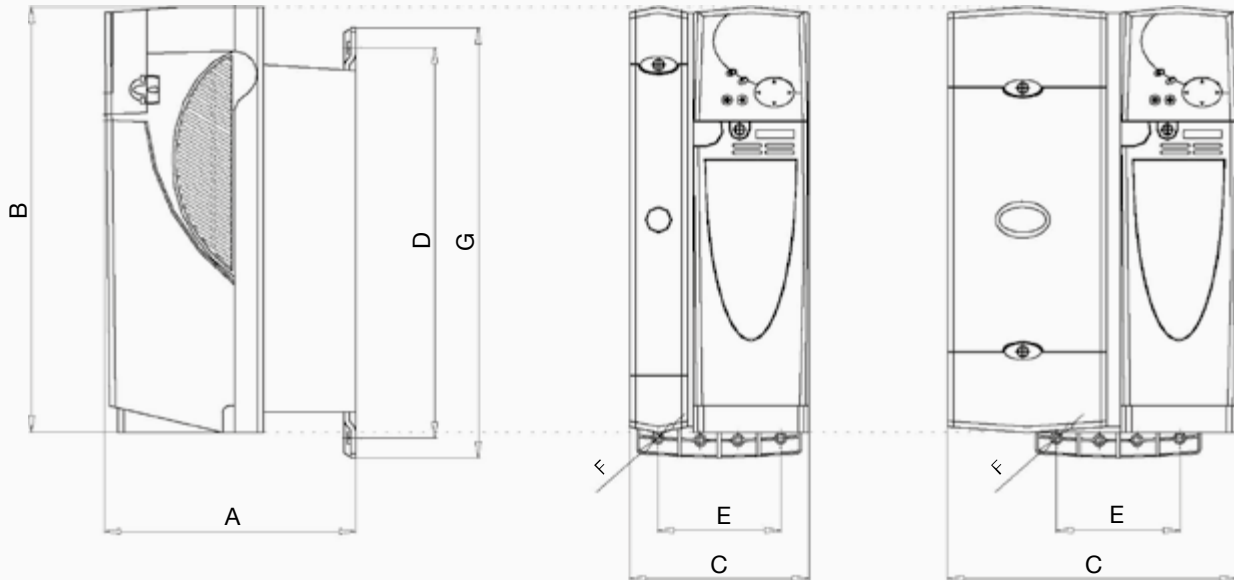
7. Power unit



Qty.	Description	Art. no.
1	Encoder	0010882
1	Magnetic disc, Saturn alpha	
1	M8 motors, E.L.M.O.	7011833
1	M10, 100-series motors, ZA	0012503
1	M12, 132/160-series motors, ZA	0011103

Reference: 300-P-9010156-E-07/04.08

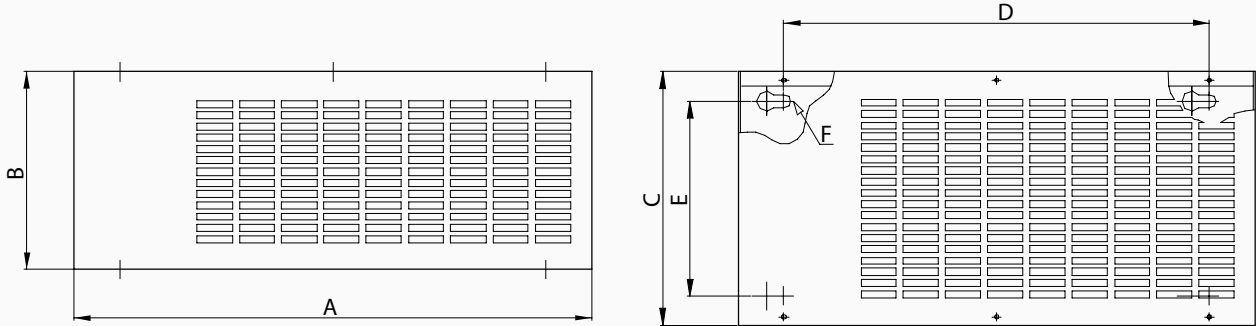
8. Frequency inverter



Qty.	Size	Description	Art. no.
1	Frequency inverter Unidrive SP		
1	2	SP2401 5.5 kW/13.0 A	7013223
1		SP2403 11.0 kW/25.0 A	7013224
1	3	SP3401 15.0 kW/32.0 A	7013225
1		SP3402 18.5 kW/40.0 A	7013226
1		SP3403 22.0 kW/46.0 A	7013227
1	4	SP4401 30.0 kW/60.0 A	7014147
1		SP4402 37.0 kW/74.0 A	7014148
1		SP4403 45.0 kW/96.0 A	7014149
1	5	SP5401 55.0 kW/124.0 A	7014150
1		SP5402 75.0 kW/156.0 A	7014151
1	6	SP6401 90.0 kW/180.0 A	7014608
1		SP6402 110.0 kW/210.0 A	7014609

Reference: 300-P-9010121-E-07/11.06

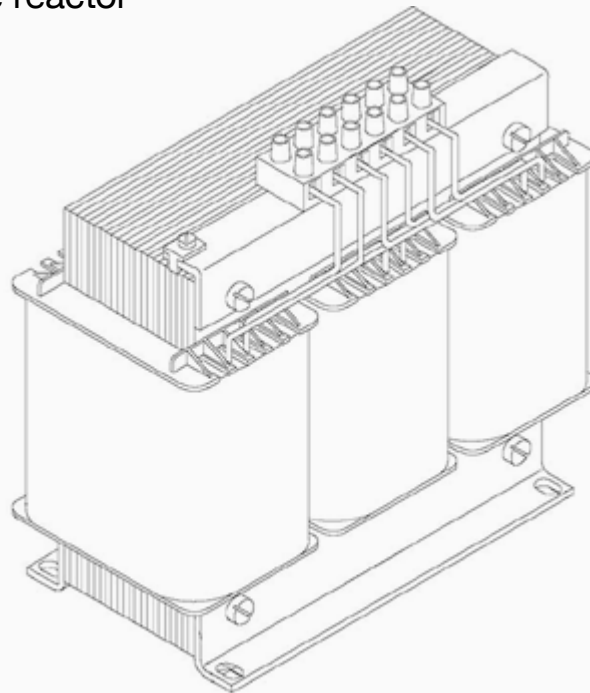
9. Braking resistor



Qty.	Type	Suitable for Unidrive frequency inverter	Art. no.
1	Braking resistor		
1	ESH-20R-S-B-600	SP2401 SP2403	7015636
1	EST1-20R-S-B-1000	SP2401 SP2403 SP3401 SP3402	7015637
1	EST2-20R-S-B-2000	SP3401 SP3402 SP3403 SP4401 SP4402 SP4403	7015638
1	ES3-20R-S-B-4500	SP3403 SP4401 SP4402 SP4403 SP5401	7015639
1	DBR12-10R-6000	SP4401 SP4402 SP4403 SP5401 SP5402	7013240
1	DBR18-10R-9000	SP4401 SP4402 SP4403 SP5401 SP5402 SP6401	7013241
1	DBR24-10R-12000	SP4401 SP4402 SP4403 SP5401 SP5402 SP6401 SP6402	7013242

Reference: 300-P-9010156-E-07/04.08

10. Mains choke/Line reactor



Qty.	Type	Suitable for Unidrive frequency inverter	Art. no.
1	Mains choke/Line reactor		
1	DDLI2-2401	SP2401	7017495
1	DDLI2-2403	SP2403	7017496
1	DDLI2-3401	SP3401	7017497
1	DDLI2-3402	SP3402	7017498
1	DDLI2-3403	SP3403	7017499
1	DDLI2-4401	SP4401	7017500
1	DDLI2-4402	SP4402	7017501
1	DDLI2-4403	SP4403	7017502
1	DDLI2-5401	SP5401	7017503
1	DDLI2-5402	SP5402	7017504
1	DDLI2-6401	SP6401	7017505
1	DDLI2-6402	SP6402	7017506

Reference: 300-P-9010156-E-07/04.08



Hydratec Lift Services Limited
Unit 1B, Blackbushe Business Village
Yateley, Hampshire
GU46 6GA

t · +44 (0) 1252 871664
f · +44 (0) 1252 873601
e · sales.south@hydratec-lifts.co.uk

Hydratec Lift Services Limited
Unit A5, Axis Point Hareshill Business Park
Hill Top Road, Heywood
OL10 2RQ

t · +44 (0) 1252 871664
f · +44 (0) 1252 873601
e · sales.north@hydratec-lifts.co.uk

© Copyright 2015, Hydratec Lift Services Limited,
All rights reserved.

*The technical and performance details contained within this document have been obtained from original manufacturers' product descriptions. Hydratec Lift Services Ltd are providing this information as a guide only and cannot be held responsible should any performance promises or technical details be incorrect.

we service your clients as you