



Unbiased Unbranded **Reliable**



BUCHER PRODUCTS AVAILABLE FROM HYDRATEC

SERVICE PARTS LIST – C-LRV

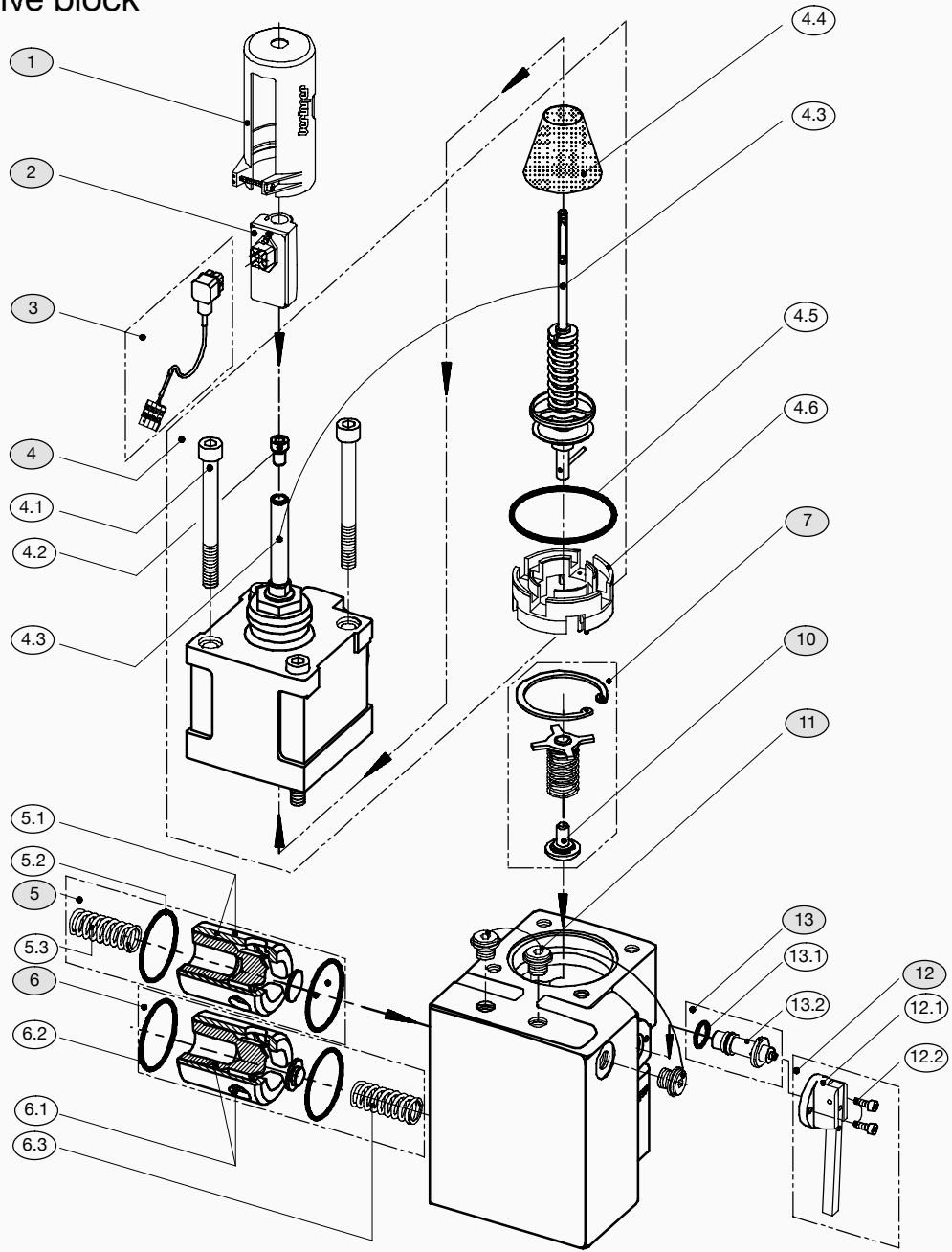
C-LRV 175 / 350 / 700

**BUCHER PRODUCTS
AVAILABLE FROM STOCK
AND TO ORDER**

BUCHER Service Parts List – C-LRV

C-LRV 175 / 350 / 700

1. Main control valve block



300-5-10013845

Available as a
standard service part

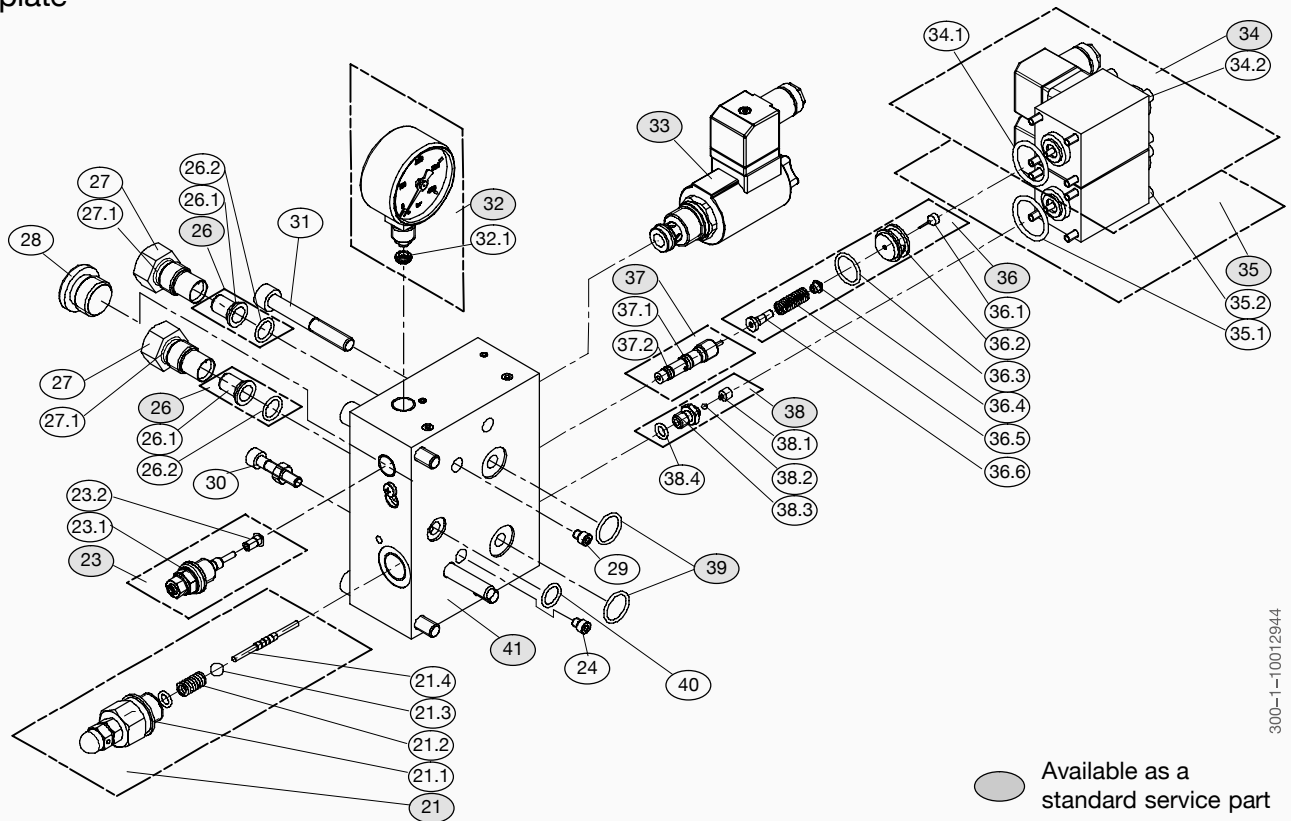
Reference: 300-P-9010274-E-02/08.09
Classification: 450.990.500

lt.	Qty.	Description	Size	C-LRV 175	C-LRV 350	C-LRV 700
1	1	Protection cap with screw		7015516	7015516	7015516
2	1	Hall sensor, complete		7012009	7012009	7012009
3		Feedback cable with plug-in connectors				
3.3	1	Feedback cable, 6 m	6 m	0009015	0009015	0009015
3.4	1	Feedback cable, 9 m	9 m	0009016	0009016	0009016
3.5	1	Feedback cable, 12 m	12 m	0009017	0009017	0009017
3.6	1	Feedback cable, 20 m	20 m	0009958	0009958	0009958
4	1	Valve top part, complete 175 / 45 l		7017859		
4	1	Valve top part, complete 175 / 90 l		7017860		
4	1	Valve top part, complete 175 / 250 l		7017861		
4	1	Valve top part, complete 350 / 500 l			7017862	
4	1	Valve top part, complete 700 / 1000 l				7017863
4.1	4	Cap screw		x		
4.1	4	Cap screw			x	
4.1	4	Cap screw			x	x
4.2	1	Plug screw		x	x	x
4.3	1	Metering rod with guide tube, complete		x	x	x
4.4	1	Filter-strainer		x	x	x
4.5	1	O-ring		x		
4.5	1	O-ring			x	
4.5	1	O-ring				x
4.6	1	Flow ring 175	90D250l	x		
4.6	1	Flow ring 350-1	250 l		x	
4.6	1	Flow ring 350-1	350 l		x	
4.6	1	Flow ring 350-1	500 l		x	
4.6	1	Flow ring 700-1	700 l			x
4.6	1	Flow ring 700-1	1000 l			x
5		DOWN spool, complete				
	1	DOWN spool, complete	90 l	7015517		
5.1	1	Sleeve + spool 91 l		x		
5.2	2	O-ring	2.62x34.59	x		
5.3	1	Spring		x		
	1	DOWN spool, complete	250 l	7015518		
5.1	1	Sleeve + spool 251 l		x		
5.2	2	O-ring	2.62x34.59	x		
5.3	1	Spring		x		
	1	DOWN spool, complete	500 l		7015519	
5.1	1	Sleeve + spool 501 l			x	
5.2	2	O-ring	2.62x44.12		x	
5.3	1	Spring			x	
	1	DOWN spool, complete	1000 l			7015520

It.	Qty.	Description	Size	C-LRV 175	C-LRV 350	C-LRV 700
5.1	1	Sleeve + spool 1001 l	2.62x63.17			x
5.2	2	O-ring				x
5.3	1	Spring				x
6		UP spool, complete				
	1	UP spool, complete	90 l	7015521		
6.1	1	Sleeve + spool 91 l	2.62x34.59	x		
6.2	2	O-ring		x		
6.3	1	Spring		x		
	1	UP spool, complete	250 l	7015522		
6.1	1	Sleeve + spool 251 l	2.62x34.59	x		
6.2	2	O-ring		x		
6.3	1	Spring		x		
	1	UP spool, complete	500 l		7015523	
6.1	1	Sleeve + spool 501 l	2.62x44.12		x	
6.2	2	O-ring			x	
6.3	1	Spring			x	
	1	UP spool, complete	1000 l			7015524
6.1	1	Sleeve + spool 1001 l	2.62x63.17			x
6.2	2	O-ring				x
6.3	1	Spring				x
7	1	Check valve, complete		0007128	0007129	0304512
10	1	Poppet		7010146	7010147	7010177
4.5	1	O-ring	2.62x56.82	x		
4.5	1	O-ring	2.62x71.12		x	
4.5	3	O-ring	3.53x104.37			x
11		Plug screw	G 1/4	x	x	x
12		Cartridge, emergency-lowering valve		7015533	7015533	7015533
12.1	1	O-ring	1.78x15.6	x	x	x
12.2	1	Cartridge, complete, emergency-lowering valve with preload		x	x	x
13	1	Retainer/handle kit, complete, emergency-lowering valve		7015525	7015525	7015525
13.1	1	Retainer/handle kit, emergency-lowering valve, LRV	1.78x15.6	x	x	x
13.2	2	Cap screw		x	x	x

Reference: 300-P-9010274-E-02/08.09

2. Pilot plate



300-1-10012944

It.	Qty.	Description	Size	C-LRV 175	C-LRV 350	C-LRV 700
21		Pressure relief valve, complete		7010140	7010140	7010140
21.1	1	Dowty seal	18/24.7x1.5	x	x	x
21.2	1	Spring		x	x	x
21.3	1	Ball	∅7.0	x	x	x
21.4	1	Push-pin		x	x	x
23		Throttle for electrical emergency lowering		7010194	7010194	7010194
23.1	1	Dowty seal	14x18.7x1.5	x	x	x
23.2	1	Poppet	8L/10S	x	x	x
24		Damping jet – UP				
24	1	Jet S M5	∅0.45	x		
24	1	Jet S M5	∅0.60		x	
24	1	Jet S M5	∅1.50			x
26		Pilot filter, complete		7010158	7010158	7010158
26.1	2	Strainer/filter		x	x	x
26.2	2	O-ring	1.78x10.82	x	x	x
27	2	Filter screw		7010195	7010195	7010184
27.12		O-ring	2.62x13.94	x	x	x
28	1	Plug screw at test nipple (standard)	G 1/2	0065227	0065227	0065227

Reference: 300-P-9010274-E-02/08.09

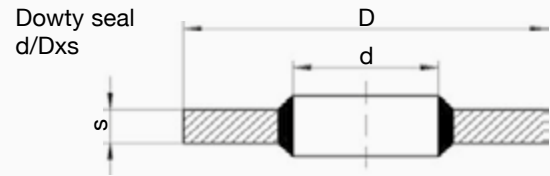
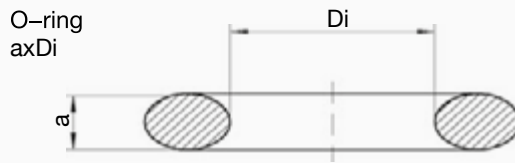
It.	Qty.	Description	Size	C-LRV 175	C-LRV 350	C-LRV 700
29		Damping jet – DOWN				
29	1	Jet S M5	∅0.50	x		
29	1	Jet S M5	∅0.70		x	
29	1	Jet S M5	∅1.50			x
30		Cap screw				
	1	Cap screw	M6x30	x		
	1	Cap screw	M6x35		x	
	1	Cap screw	M8x35			x
31		Cap screw				
	4	Cap screw	M8x60	x	x	
	6	Cap screw	M10x65			x
32	1	Pressure gauge, complete		7010138	7010138	7010138
32.1	2	Sealing ring	1/4"	x	x	x
33	1	Electrical emergency lowering valve				
	1	Electrical emergency lowering valve	12 VDC, 17W	7017602	7017602	0003663
	1	Electrical emergency lowering valve	24 VDC, 17W	7017603	7017603	0005663
34	1	DOWN solenoid, complete (black plug)		7010131	7010131	7010131
34.1	1	O-ring	2.62x21.89	x	x	x
34.2	4	Cap screw with 3 A/F hex. socket	M4x60	x	x	x
35	1	UP solenoid, complete (grey plug)		7010132	7010132	7010132
35.1	1	O-ring	2.62x21.89	x	x	x
35.2	4	Cap screw with 3 A/F hex. socket	M4x60	x	x	x
36	1	DOWN pilot valve, complete		7010143	7010143	7010148
36.1	1	Push-pin, LRV		x	x	x
36.2	1	Bush with seat		x	x	x
36.3	1	O-ring	1.78 x 15.60	x	x	x
36.4	1	Poppet		x	x	x
36.5	1	Spring		x	x	x
36.6	1	Spring centring guide		x	x	x
34.1	1	O-ring	2.62 x 21.89	x	x	x
37	1	Adjusting spindle, complete		0007532	0007532	0007675
37.1	1	O-ring	1.5 x 5.5	x	x	x
37.2	1	O-ring	1.5 x 4.5	x	x	x
34.1	1	O-ring	2.62 x 21.89	x	x	x
38	1	UP pilot valve, complete		7010144	7010144	7010145
38.1	1	Push-pin		x	x	x
38.2	1	Ball	∅3.0	x	x	x
38.3	1	Ball guide	∅3.0	x	x	x
38.4	1	O-ring	1.78 x 6.07	x	x	x
35.1	1	O-ring	2.62x21.89	x	x	x

It.	Qty.	Description	Size	C-LRV 175	C-LRV 350	C-LRV 700
39	2	O-ring		x	x	x
40	1	O-ring		x	x	x
41		Pilot plate				
		Pilot plate, complete	EN 00	7014907	7014907	0305279
41	1	Plate, compl., without el. emerg. lowering		x	x	x
5.2	2	O-rings for main cartridge		x	x	x
		Pilot plate, complete	EN 12 VDC	7017552	7017554	0305280
41	1	Plate, compl., with electr. emerg. lowering		x	x	x
5.2	2	O-rings for main cartridge		x	x	x
		Pilot plate, complete	EN 24 VDC	7017553	7017555	0305281
41	1	Plate, compl., with electr. emerg. lowering		x	x	x
5.2	2	O-rings for main cartridge		x	x	x

Reference: 300-P-9010274-E-02/08.09

3. Seal kits

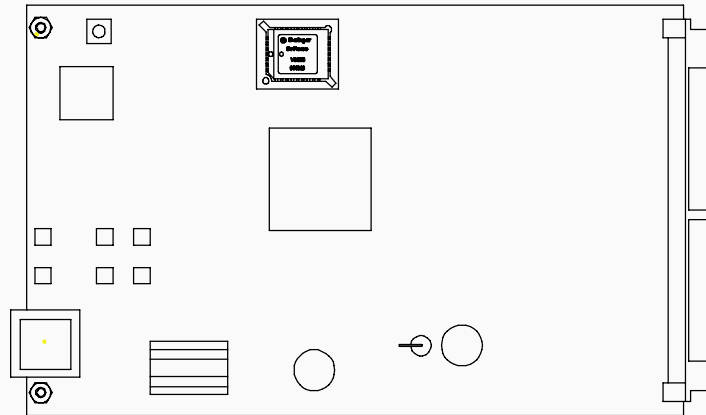
for all valve types LRV-1, LRV-A and C-LRV



It.	Qty.	Description	Size	C-LRV 175	C-LRV 350	C-LRV 700
Seal kit, complete, main control valve and pilot plate				0305197	0305198	0305199
Seal kit for main valve block				7010197	7010198	7010199
4.5	1	O-ring	2.62 x 56.82	x		
4.5	1	O-ring	2.62 x 71.12		x	
4.5	1	O-ring	3.53 x 104.37			x
5.2	2	O-ring	2 x 36	x		
5.2	2	O-ring	2.62 x 34.59	x		
5.2	2	O-ring	2 x 46		x	
5.2	2	O-ring	2.62 x 44.12		x	
5.2	2	O-ring	2.62 x 63.17			x
6.2	2	O-ring	2 x 36	x		
6.2	2	O-ring	2.62 x 34.59	x		
6.2	2	O-ring	2 x 46		x	
6.2	2	O-ring	2.62 x 44.12		x	
6.2	2	O-ring	2.62 x 63.17			x
12.1	1	O-ring	1.78 x 15.60	x	x	x
Seal kit for pilot plate				7010200	7010200	7010200
21.1	1	Dowty seal	18.0/24.7x1.5	x	x	x
22.1	1	Dowty seal	18.0/24.7x1.5	x	x	x
23.1	1	Dowty seal	14,0/18,7x1,5	x	x	x
26.2	2	O-ring	1.78x10.82	x	x	x
27.1	2	O-ring	2.62x13.94	x	x	x
28.2	1	Dowty seal	22.7/30x2	x	x	x
32.1	2	Sealing ring	1/4"	x	x	x
33.2		O-ring				
33.3		O-ring				
33.4		Backup ring				
34.1	1	O-ring	2.62x21.89	x	x	x
35.1	1	O-ring	2.62x21.89	x	x	x
36.3	1	O-ring	1.78x15.60	x	x	x
37.1	1	O-ring	1.5x5.5	x	x	x
38.2	1	O-ring	1.5x4.5	x	x	x
38.4	1	O-ring	1.78x6.07	x	x	x
39.0	2	O-ring	1.78x15.60	x	x	x
40.0	1	O-ring	1.78x10.82	x	x	x

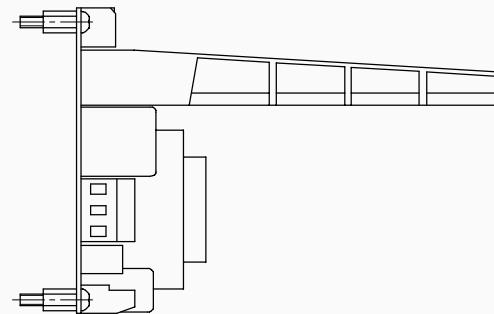
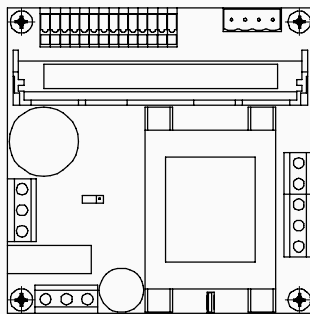
Reference: 300-P-9010274-E-02/08.09

4. Electronic card



Qty.	Description	Size	C-LRV 175	C-LRV 350	C-LRV 700
1	C-DELCON SIU-1	without protective lacquer	7014889 +	7014889 +	7014889 +

5. Power supply module



Qty.	Description	Size	C-LRV 175	C-LRV 350	C-LRV 700
1	NTA-2 power supply unit				
1	NTA-2 / 115 power supply unit	100/(110)115/120 VAC	7013534	7013534	7013534
1	NTA-2 / 230 power supply unit	220/230/240 VAC	7013535	7013535	7013535
1	NTA-2 / 400 power supply unit	380/400(415)/440 VAC	7013536	7013536	7013536

Reference: 300-P-9010274-E-02/08.09



Hydratec Lift Services Limited
Unit 1B, Blackbushe Business Village
Yateley, Hampshire
GU46 6GA

t · +44 (0) 1252 871664
f · +44 (0) 1252 873601
e · sales.south@hydratec-lifts.co.uk

Hydratec Lift Services Limited
Unit A5, Axis Point Hareshill Business Park
Hill Top Road, Heywood
OL10 2RQ

t · +44 (0) 1252 871664
f · +44 (0) 1252 873601
e · sales.north@hydratec-lifts.co.uk

© Copyright 2015, Hydratec Lift Services Limited,
All rights reserved.

*The technical and performance details contained within this document have been obtained from original manufacturers' product descriptions. Hydratec Lift Services Ltd are providing this information as a guide only and cannot be held responsible should any performance promises or technical details be incorrect.

we service your clients as you